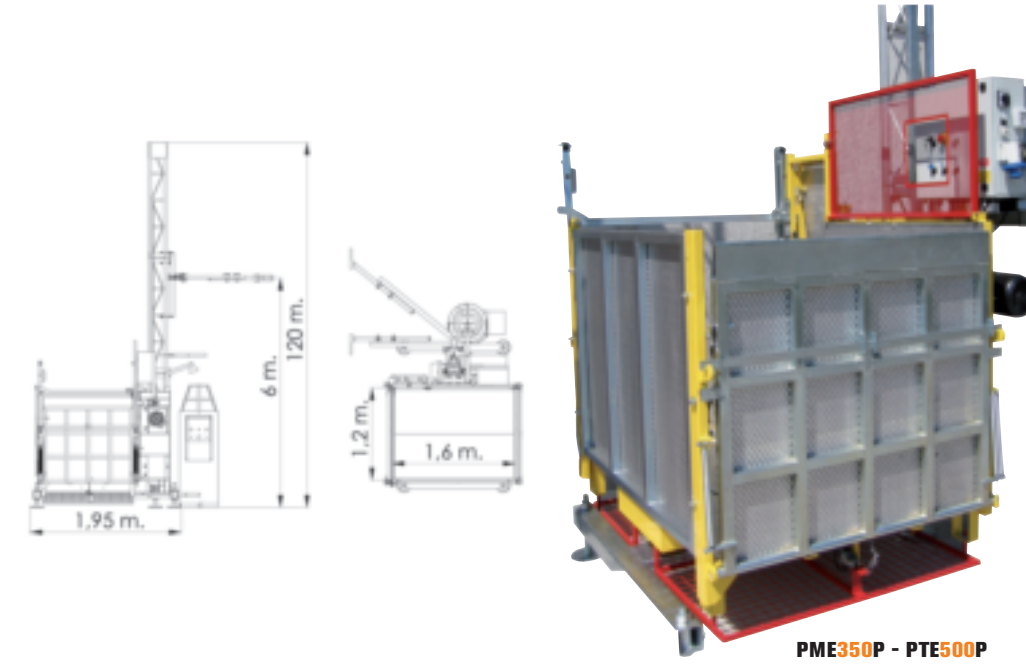


RACK & PINION HOIST

PME350P - PTE500P - PTE1000P

FOR MATERIALS AND PERSONS



PME350P - PTE500P



PTE1000P

Technical Data

	PME350P		PTE500P		PTE1000P	
	SINGLEPHASE	THREEPHASE	SINGLEPHASE	THREEPHASE	SINGLEPHASE	THREEPHASE
Platform length	1.600 mm	1.600 mm	1.750 mm	1.750 mm	1.400 mm	1.400 mm
Maximum width	1.100 mm	1.100 mm	1.400 mm	1.400 mm	1.400 mm	1.400 mm
Speed	12 m/min	12 m/min	12 m/min	12 m/min	* 12 m/min - 24 m/min	* 12 m/min - 24 m/min
Maximum load	350 kg	500 kg	500 kg	500 kg	1.000 kg	1.000 kg
Maximum Height	120 m	120 m	120 m	120 m	150 m	150 m
Motor power	2,5 kW	2,5 kW	2,5 kW	2,5 kW	1 x 8 kW	1 x 8 kW
Current intensity	6,3 A	6,3 A	6,3 A	6,3 A	20 A	20 A
Weight machine	823 kg	823 kg	823 kg	823 kg	1.100 kg	1.100 kg
Kind of section	△	△	△	△	△	△

* = with PERSONS 12 m/min - with MATERIALS 24 m/min

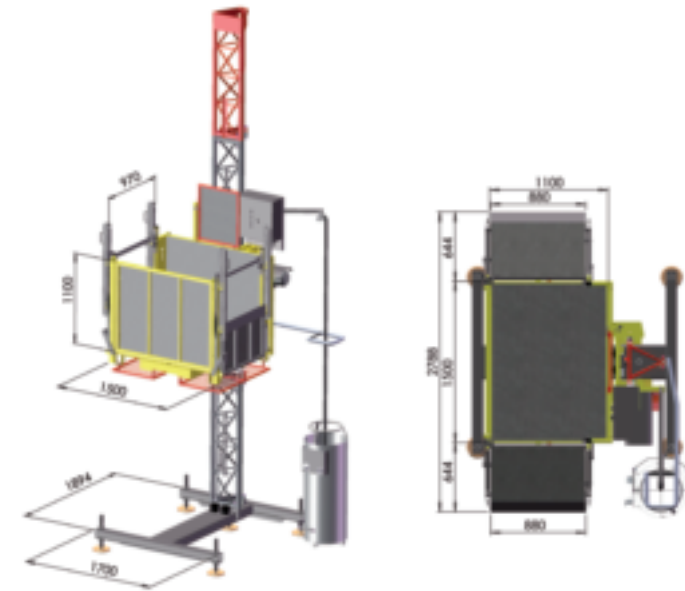
RACK & PINION HOIST

FULL200 - PME700P

FOR MATERIALS AND PERSONS



FULL200



PME700P



Technical Data

	FULL200	
	SINGLEPHASE	THREEPHASE
Maximum Height	45 m	45 m
Intermediate support distance	3 m	3 m
Maximum load	200 kg	200 kg
Platform length	1150 mm	1150 mm
Maximum width	700 mm	700 mm
Electric Supply	230 V - 50Hz	230 V - 50Hz
Speed	12 m/min	12 m/min
Motor power	2,2 kW	2,2 kW
Kind of section	□	□

Technical Data

	PME700P	
	SINGLEPHASE	THREEPHASE
Platform length	1.500 mm	1.500 mm
Maximum width	1.100 mm	1.100 mm
Speed	12 m/min	12 m/min
Maximum load	700 kg	700 kg
Maximum Height	120 m	120 m
Motor power	2,5 kW	2,5 kW
Current intensity	6,3 A	6,3 A
Weight machine	650 kg	650 kg
Kind of section	△	△

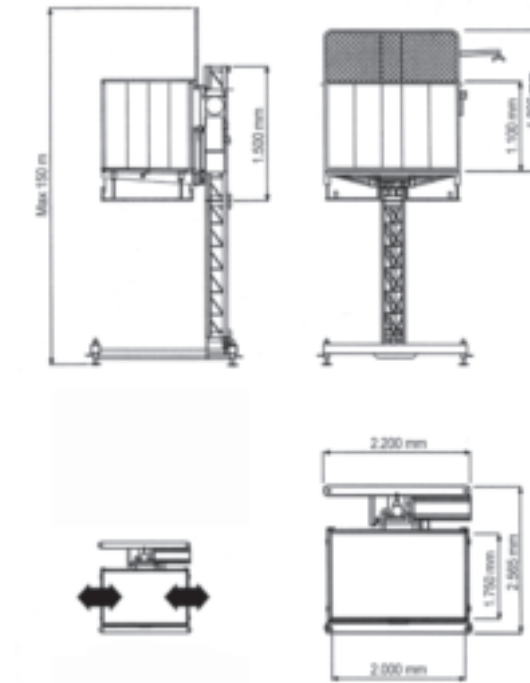
RACK & PINION HOIST

PMI300 - PTI500 - MAX1700

FOR MATERIALS



PMI300 - PTI500



MAX1700

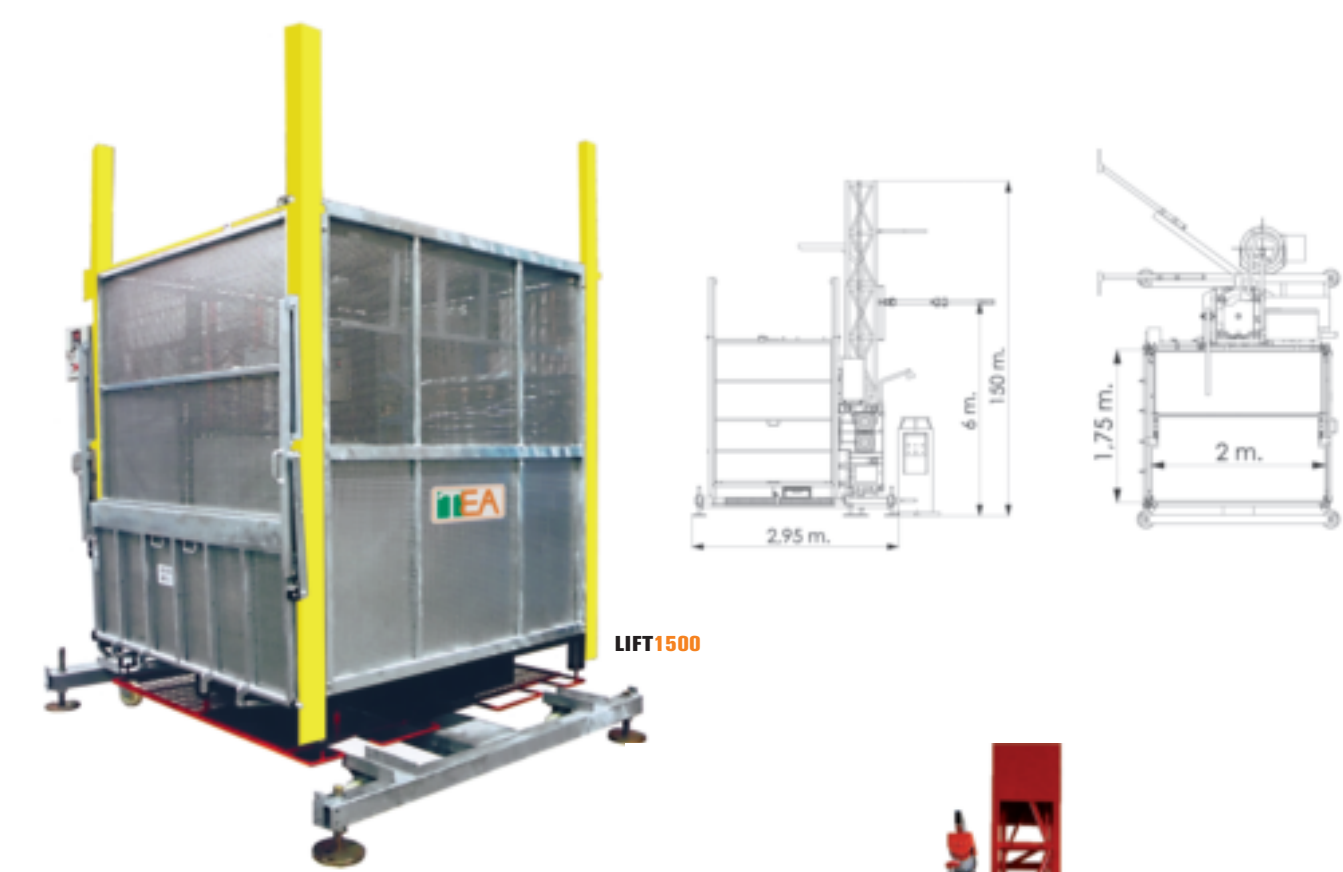
Technical Data

	PMI300		PTI500		MAX1700	
	SINGLEPHASE	THREEPHASE	SINGLEPHASE	THREEPHASE	SINGLEPHASE	THREEPHASE
Platform length	1.200 mm	1.200 mm	2.000 mm	2.000 mm	2.000 mm	2.000 mm
Maximum width	845 mm	845 mm	1.750 mm	1.750 mm	1.750 mm	1.750 mm
Speed	14 m/min	20 m/min	24 m/min	24 m/min	24 m/min	24 m/min
Maximum load	300 kg	500 kg	1.700 kg	1.700 kg	1.700 kg	1.700 kg
Maximum Height	120 m	120 m	150 m	150 m	150 m	150 m
Motor power	2,5 kW	4,1 kW	2 x 7 kW	2 x 7 kW	2 x 7 kW	2 x 7 kW
Current intensity	16,5 A	9,2 A	31,2 A	31,2 A	31,2 A	31,2 A
Weight machine	540 kg	540 kg	1.475 kg	1.475 kg	1.475 kg	1.475 kg
Kind of section	△	△	□	□	□	□

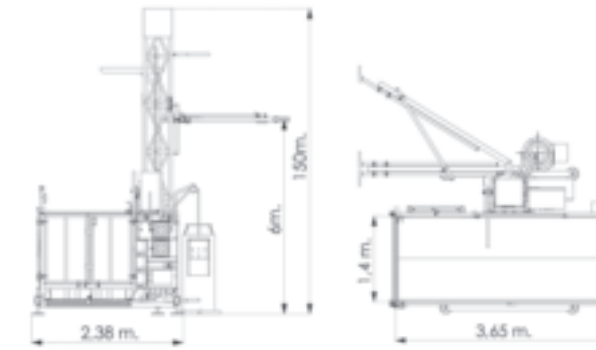
BUILDER HOIST

LIFT1500 - PTE1500P

FOR MATERIALS AND PERSONS



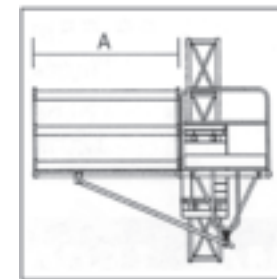
LIFT1500



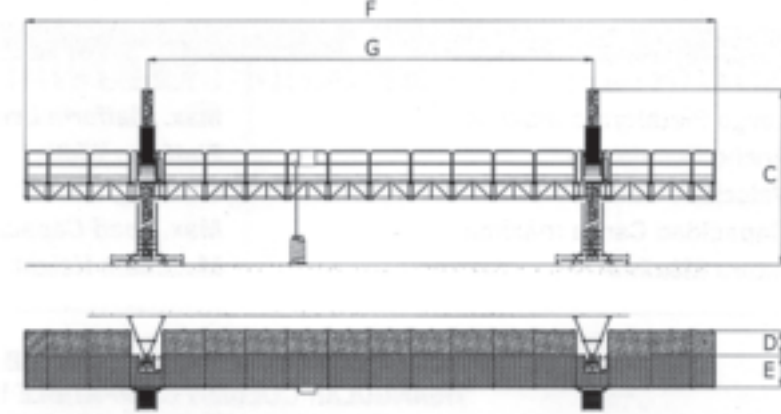
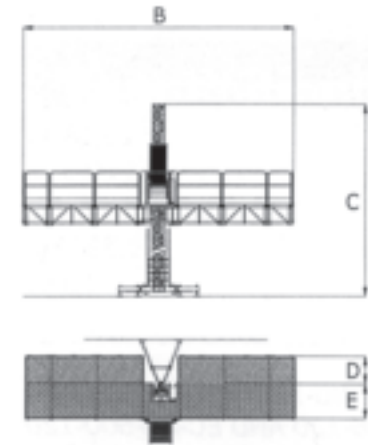
PTE1500P

Technical Data

	LIFT1500		PTE1500P	
	THREEPHASE	THREEPHASE	THREEPHASE	THREEPHASE
Platform length	2.000 mm	3.400 mm	2.000 mm	3.400 mm
Maximum width	1.750 mm	1.400 mm	1.750 mm	1.400 mm
Speed	30 m/min	* 12 m/min - 24 m/min	30 m/min	* 12 m/min - 24 m/min
Maximum load	1.500 kg	1.500 kg	1.500 kg	1.500 kg
Maximum Height	150 m	150 m	150 m	150 m
Motor power	2 x 8 kW	2 x 8 kW	2 x 8 kW	2 x 8 kW
Current intensity	41 A	41 A	41 A	41 A
Weight machine	1.707 kg	1.660 kg	1.707 kg	1.660 kg
Kind of section	□	□	□	□



Telescopic extension
If required, the platform can be positioned at 2.0 m from the working area.

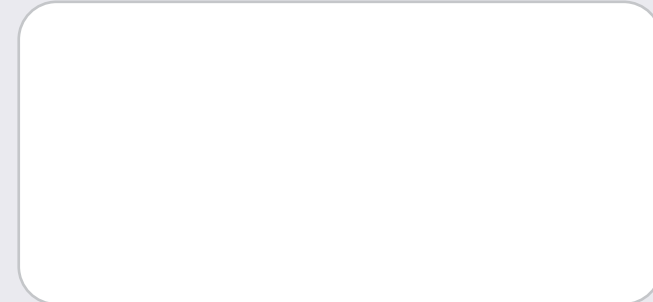


	A	B	C	D	E	F	G
PA1500	1000/2000 mm	max 7 m	max 120 m	800 mm	900 mm	max 20 m	13 m
PA2000	1000/2000 mm	max 8,5 m	max 120 m	900 mm	1200 mm	max 25 m	16,5 m
PA3000	1000/2000 mm	max 10 m	max 120 m	900 mm	1200 mm	max 29,5 m	21 m

Technical Data

	PA1500		PA2000		PA3000	
	THREEPHASE	THREEPHASE	THREEPHASE	THREEPHASE	THREEPHASE	THREEPHASE
	SINGLE MAST	TWIN MAST	SINGLE MAST	TWIN MAST	SINGLE MAST	TWIN MAST
Platform length	7 m	20 m	8,5 m	25 m	10 m	29,5 m
Maximum width	0,9 m + 0,8 m	0,9 m + 0,8 m	1,2 m + 0,9 m	1,2 m + 0,9 m	1,2 m + 0,9 m	1,2 m + 0,9 m
Speed	7 m/min	7 m/min	10 m/min	10 m/min	10 m/min	10 m/min
Maximum load	750 kg	1.500 kg	1.150 kg	2.300 kg	1.700 kg	3.400 kg
Maximum Height	120 m	120 m	120 m	120 m	120 m	120 m
Motor power	2,5 kW	2 x 2,5 kW	4,1 kW	2 x 4,1 kW	6 kW	2 x 6 kW
Current intensity	6,3 A	12,6 A	9,2 A	18,4 A	14,2 A	28,4 A
Weight machine	520 kg	-	656 kg	-	740 kg	-
Kind of section	△	△	△	△	□	□

RACK LIFTING SYSTEM

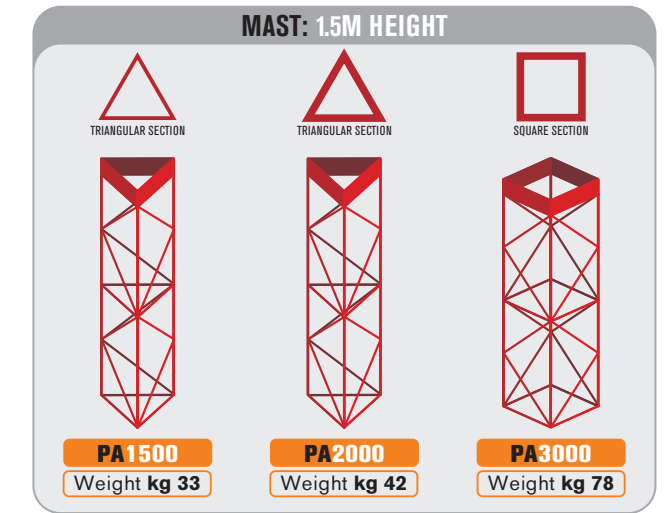
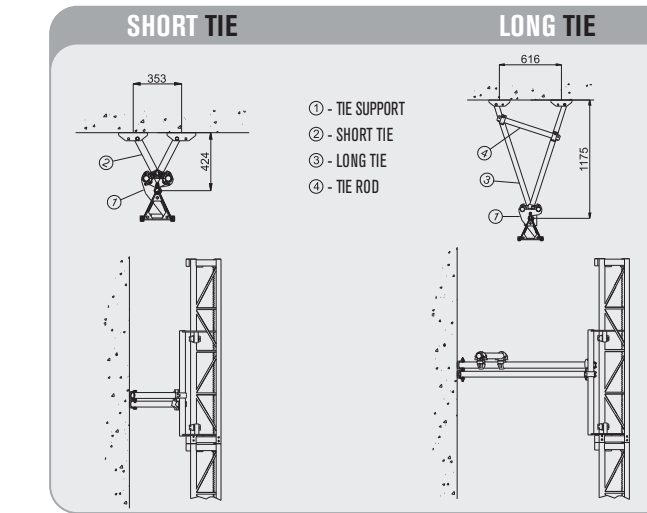


TEA INTERNATIONAL srl
Via Cazumenta, 16 - 26041 Casalmaggiore (CR) Italy
tel. +39 0375 200887 - fax +39 0375 200914
www.tea-online.it • info@tea-online.it

11/2012 - 800 - GB

MAST CLIMBING WORK PLATFORMS

PA1500 - PA2000 - PA3000



Rack Lifting Systems

Self-lifting platforms, elevators for people and materials, yard hoisting towers: all these are TEA rack lifting systems. Strong, versatile, safe and fast, they can be used in manifold applications, in particular where the working range is limited; they are featured by their easy assembly and use. Used as an alternative to standard lifting means, they reduce working times and ensure top safety to all operators.